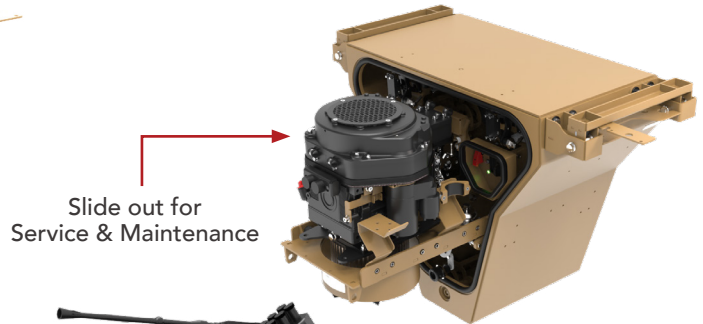
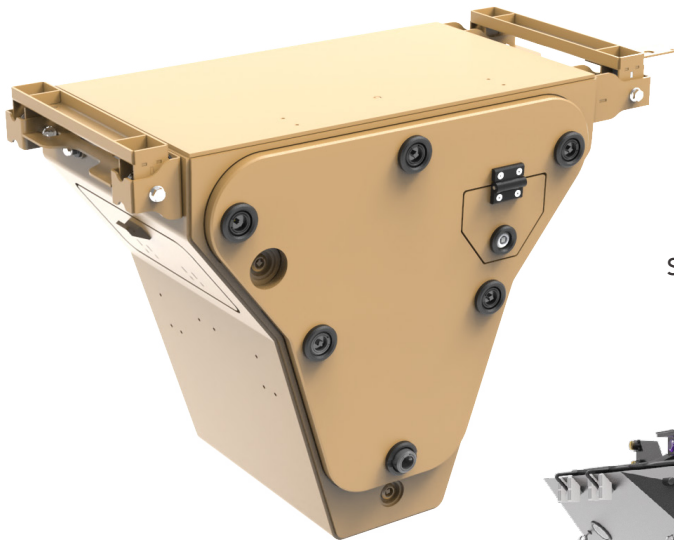


AMV Compact Auxiliary Power Unit



COMPACT 3.5kW AUXILIARY POWER UNIT (APU)



Ref. HYAPU35

SPECIFICATION

Hatz Aircooled with direct driven Permanent Magnet Generator (PMG) (Electric Start)

Output Power 28VDC 3,5kW @ 3000rpm

Max Ambient 48°C

Engine Cooling Air Cooled

Operation APU can operate continuously with front APU door closed.
(Hatches on side and bottom must be open.)

Vibration MIL-STD-810F, Method 514.5

Compliance EPA Tier 4 Compliance

Fault Finding Bluetooth / CAN Bus

Weight 95kg

Dimensions 980mm W x 530mm D x 780mm H

Protection Low Oil Pressure Protected; Airflow Inlet/Outlet Open Detection
Over Current (Circuit Breaker)

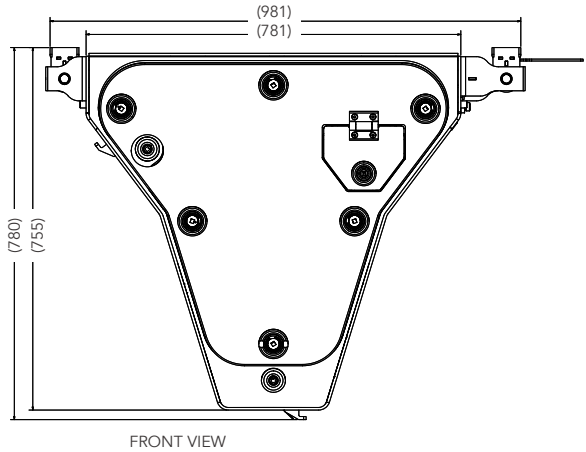
Construction 5 & 10mm Aluminium Enclosure.
Engine slides out for easy maintenance

OPTIONAL

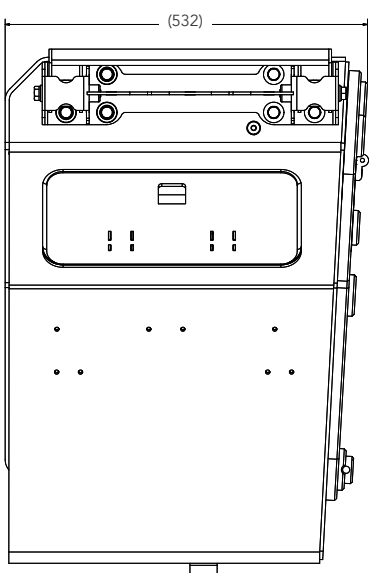
Engine Start Automatic

FRONT, SIDE AND TOP VIEW

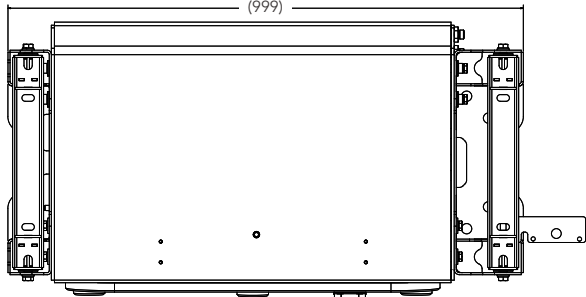
(Max Overall Dimensions 0,98 m wide x 0,53 m deep x 0,78 m high, weight 95kg)



FRONT VIEW

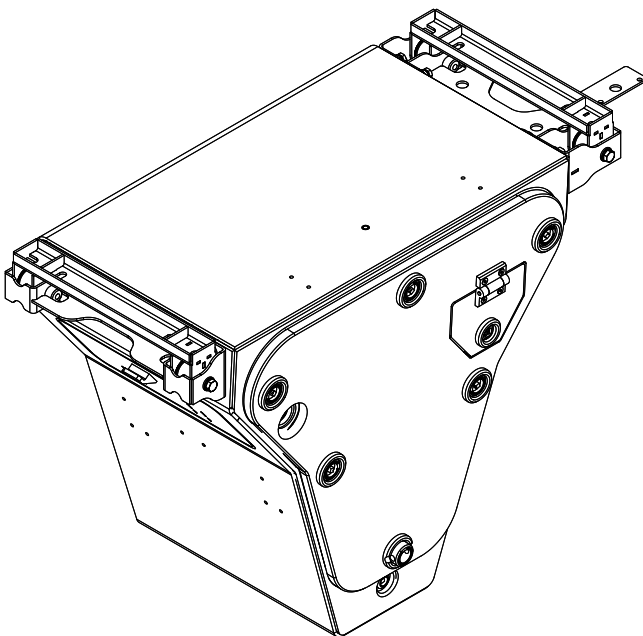


LEFT VIEW

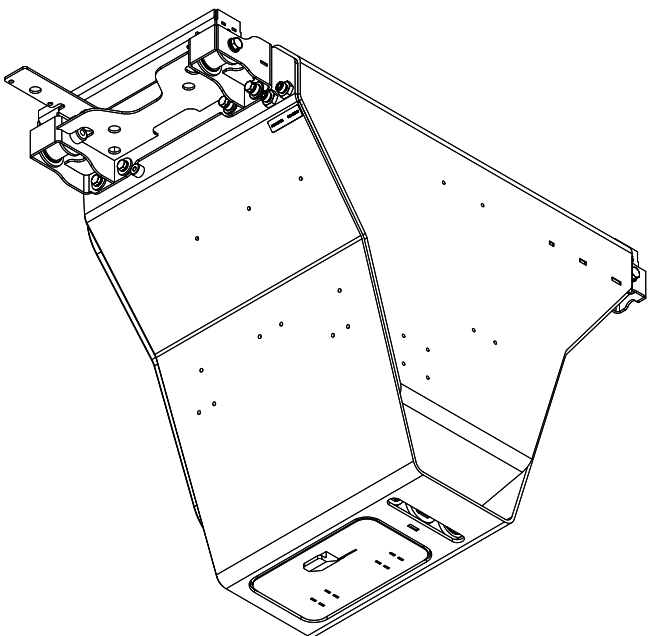


TOP VIEW

ISOMETRIC VIEW



FRONT ISOMETRIC VIEW



REAR BOTTOM ISOMETRIC VIEW

